

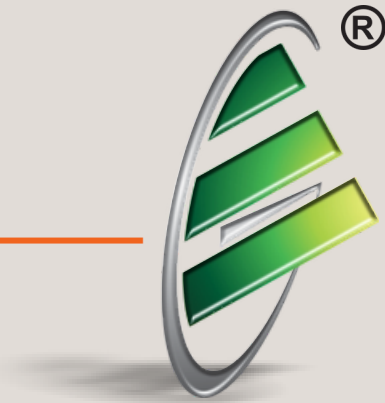


GANGA

Strength In Every Component

Ganga Enterprises

www.gangalocks.in



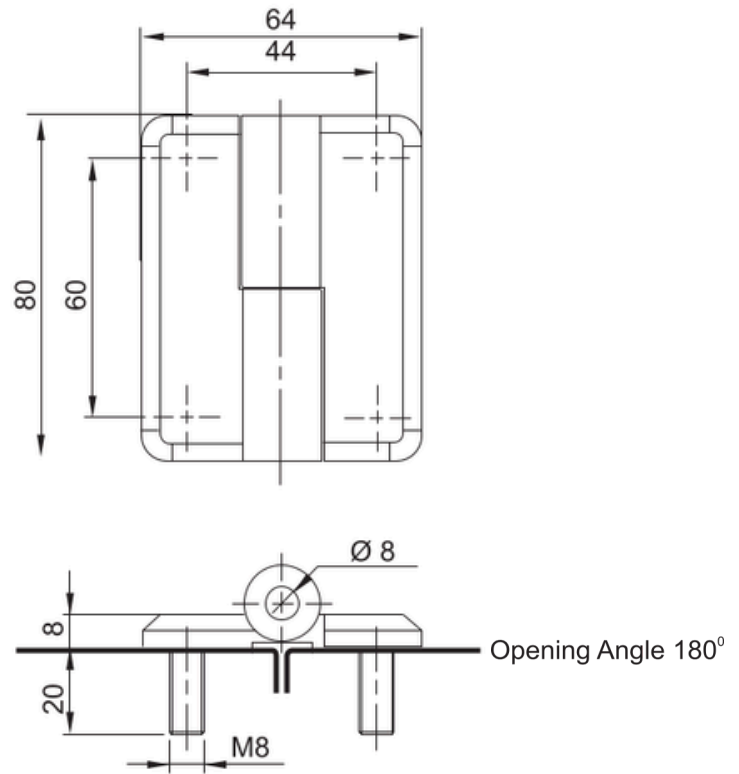
GANGA ENTERPRISES an independent family run business, started its operations way back in 2005. With great integrity, high ethics values, stringent quality control up by tremendous efforts and disciplined business activities, **GANGA ENTERPRISES** is manufacturer of plastic moulded and Steel & Zinc components, to various cities in INDIA. These components is used in control panels. Spread over an area of 4000 sq. ft. with a force of 20 hardworking employees, it has proved itself as a flexible and versatile manufacturer, offering a huge of designs options with the help of in house facilities such as plastic moulding, Zinc Alloys Pressure Die Casting, Rubber moulding M/c. Power Presses and well furnished Tool Room. It can also offer custom designed accessories with the support of high and software.

Ganga Enterprises

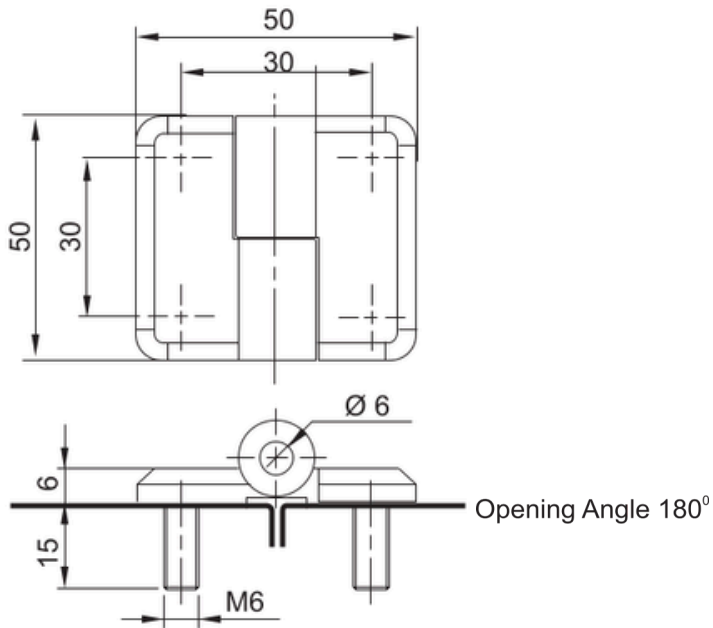
Die Cast Lift off Hinges



GEH 119



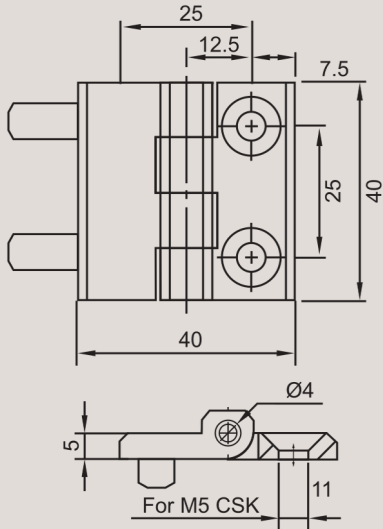
BLACK POWDER COATED



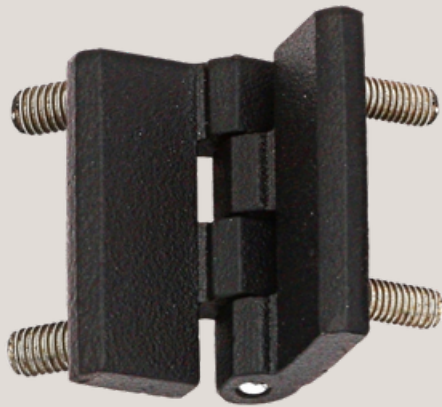
GEH 120

BLACK POWDER COATED

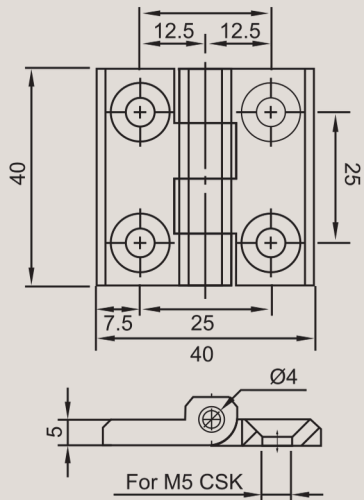
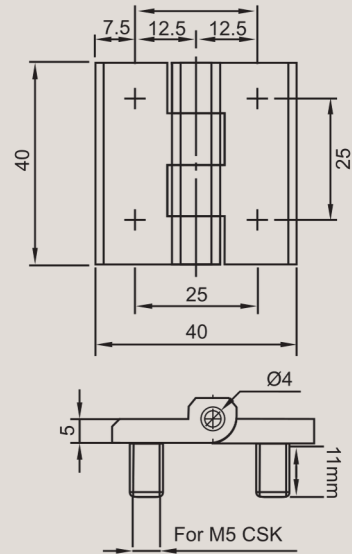
Die Cast Flat Hinges



GEH 121
With Stud (S)



GEH 122
Stud & Hole (SH)

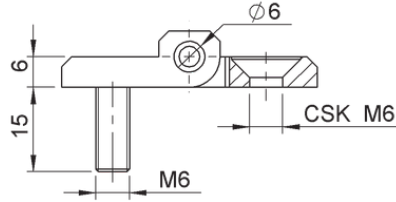
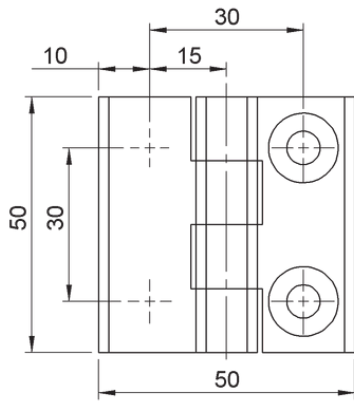


GEH 123
Hole
Black Powder Coated

Opening Angle for Counte Sunk Type 270°
Opening Angle for Stud Tpye 180°



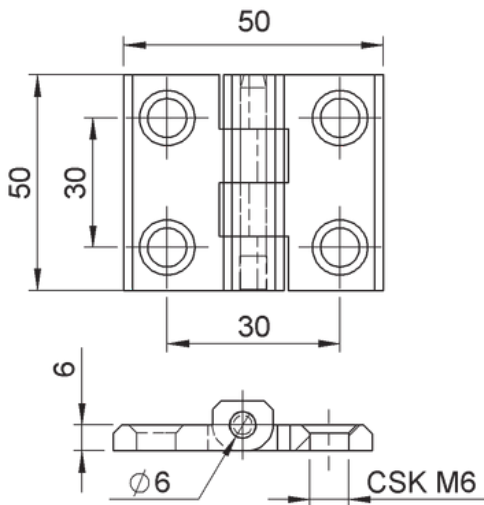
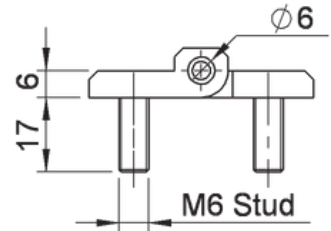
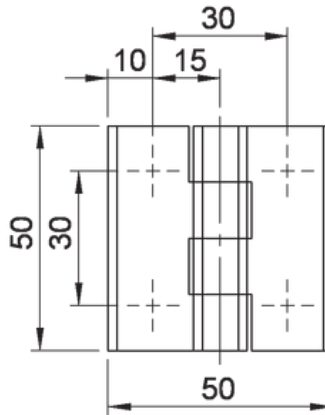
Die Cast Flat Hinges



GEH 121 A



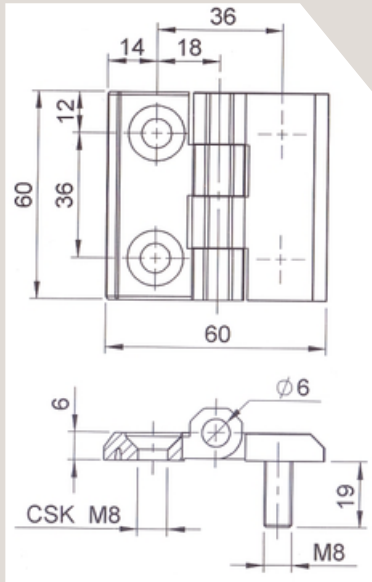
GEH 122 A



GEH 123 A

Die Cast Flat Hinges

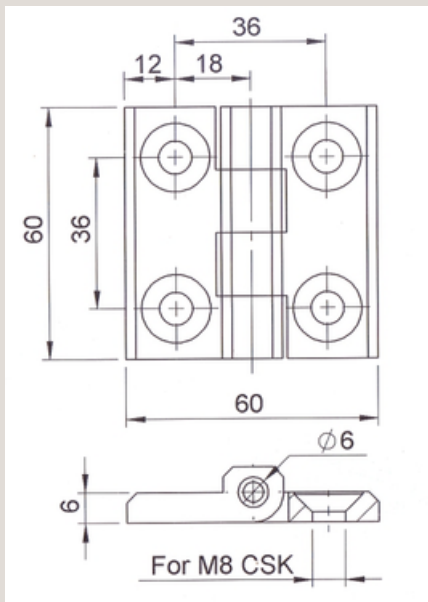
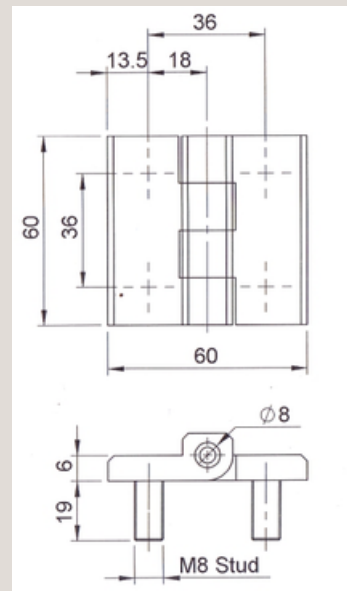
GANGA



GEH 121 B



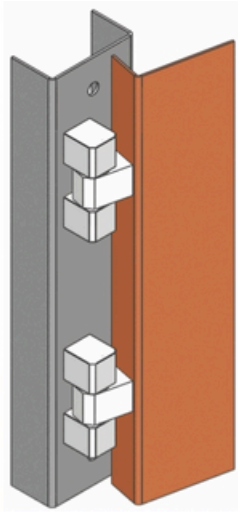
GEH 122 B



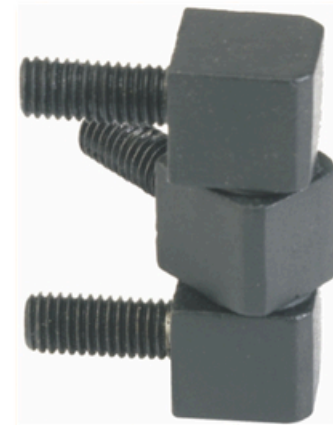
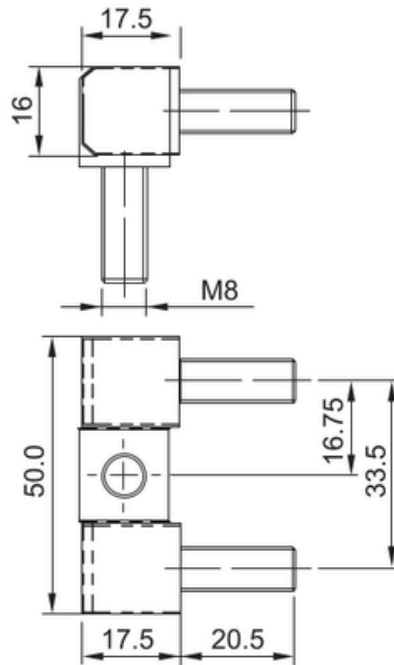
GEH 123 B



Die Cast Hinges



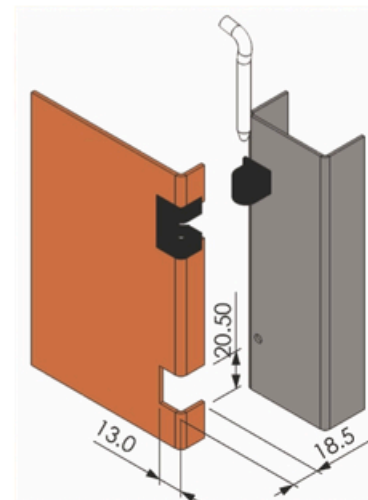
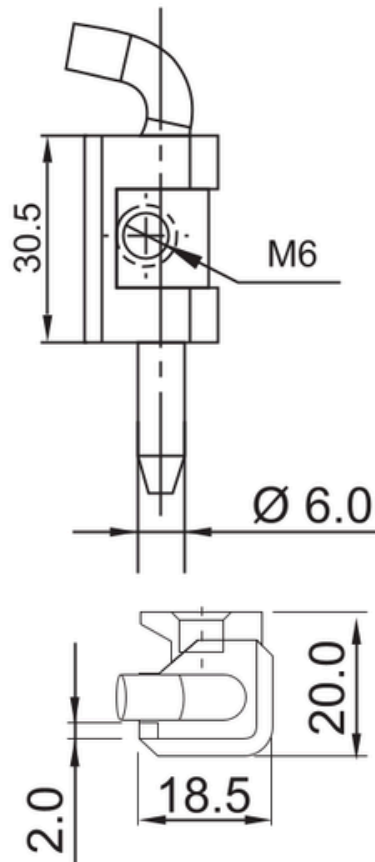
GEH 124



Opening Angle 180°
Black Powder Coated



GEH 125



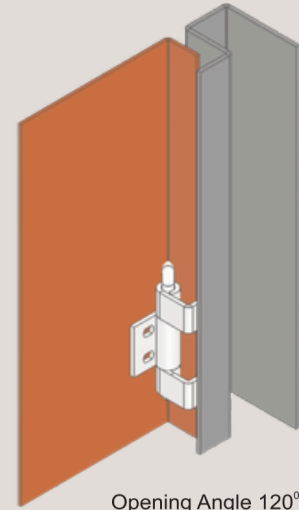
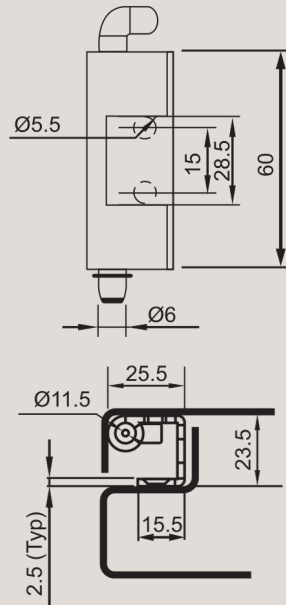
Opening Angle 180°
Black Powder Coated

Mild Steel Hinges

GANGA

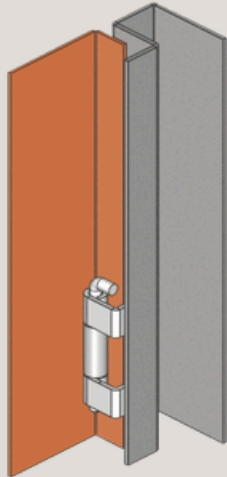


GEH 126

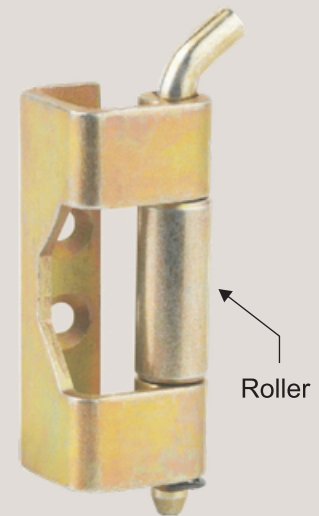
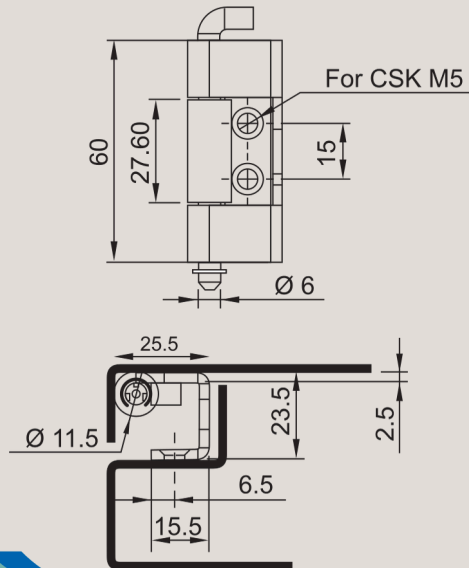


Opening Angle 120°

CONCEALED HINGE



Opening Angle 120°



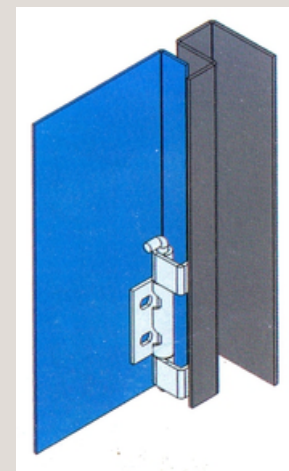
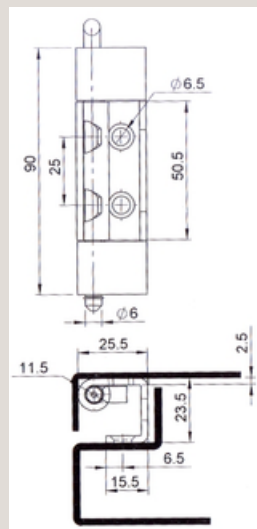
Roller

GEH 127

CONCEALED HINGE



GEH 126 A

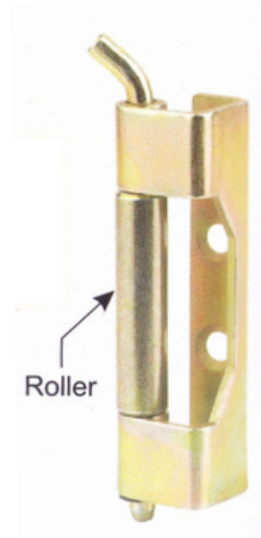
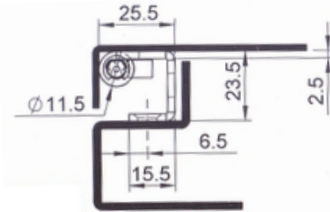
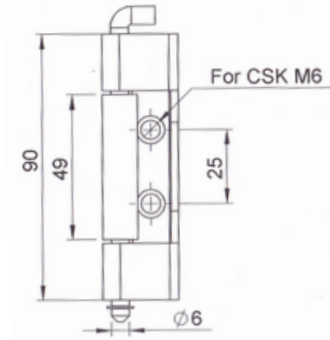
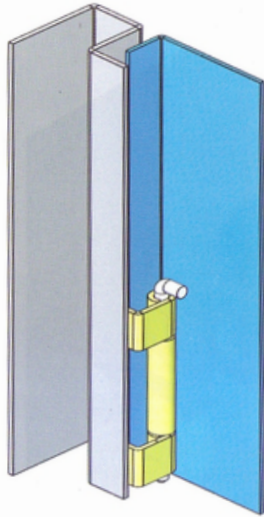


CONCEALED HINGE





Mild Steel Hinges

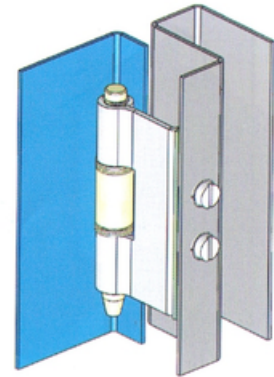
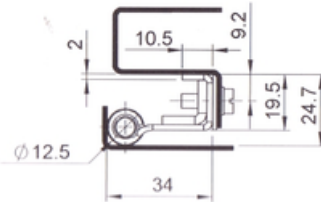
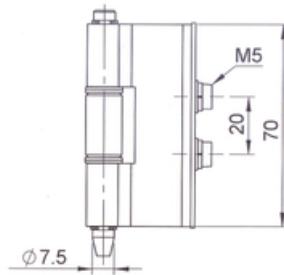


GEH 127 A

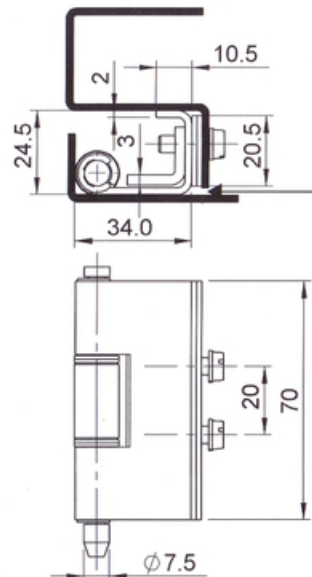
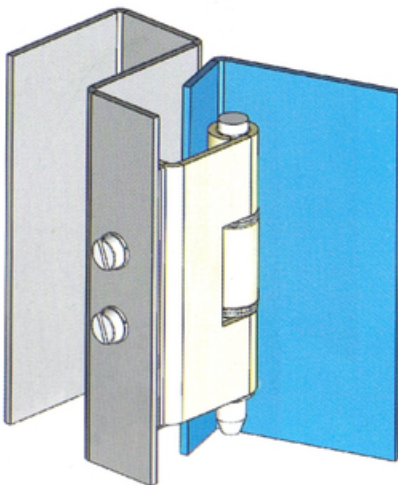
CONCEALED HINGE



GEH 126 B



CONCEALED HINGE



Shims for adjustment of 1.5 mm



GEH 127 B
Concealed Roller Hinges

CONCEALED HINGE

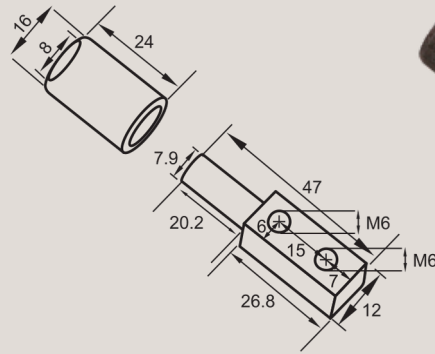
GANGA

Mild Steel Hinges

GANGA



GEH 128
SIEMENS HINGE

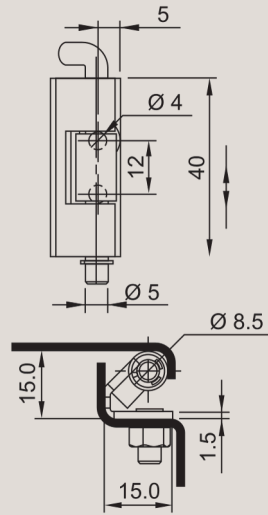


GEH 129

CONCEALED HINGE



Opening Angle 90°

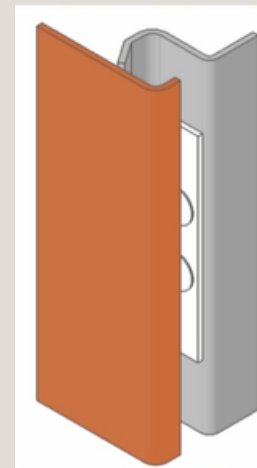
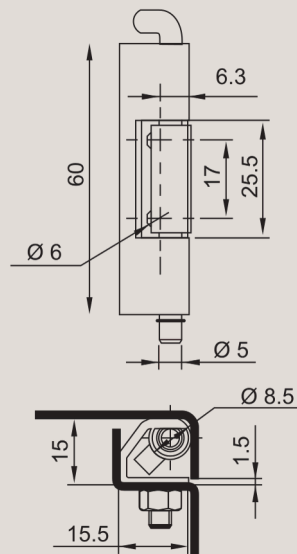


GEH 130

CONCEALED HINGE



GEH 131



Opening Angle 90°

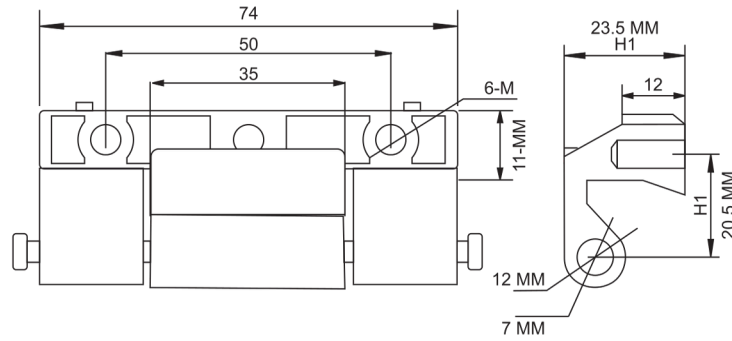
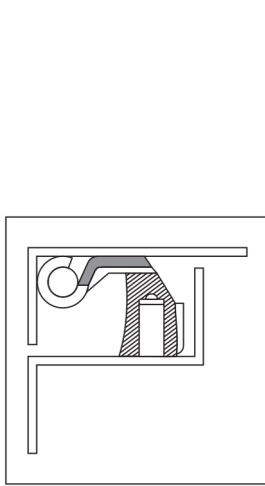
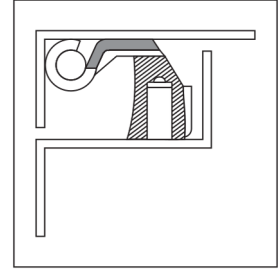
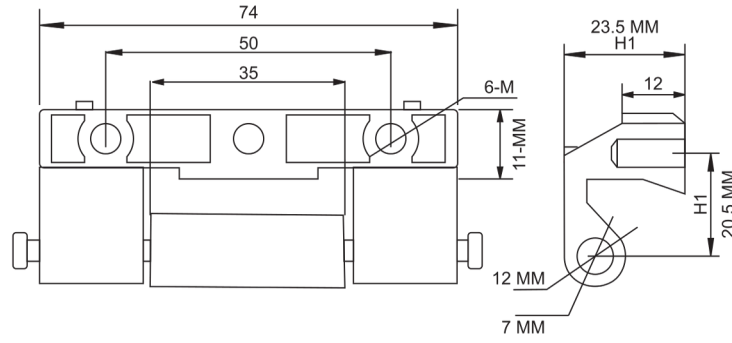
CONCEALED HINGE



Die Cast Hinges



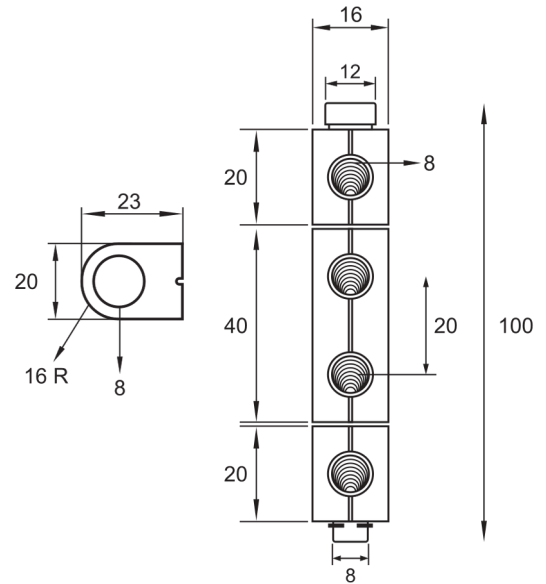
GEL 141



GEH 141 A



GEH 141 C

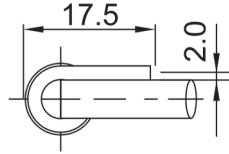
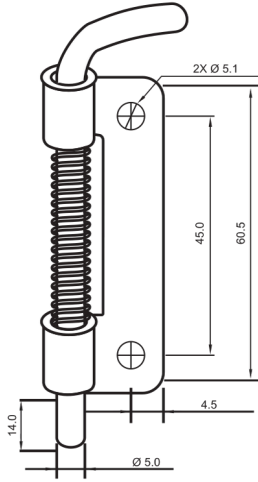


GANGA

ALUMINIUM HINGE



Mild Steel Hinges

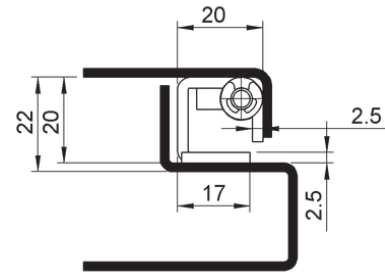
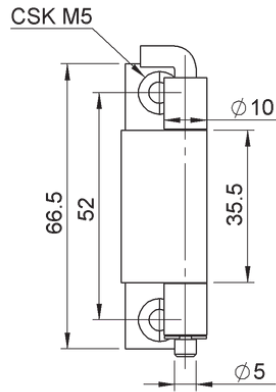


GEH 132
GE 2-R/L

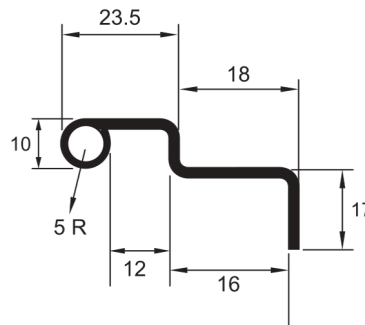
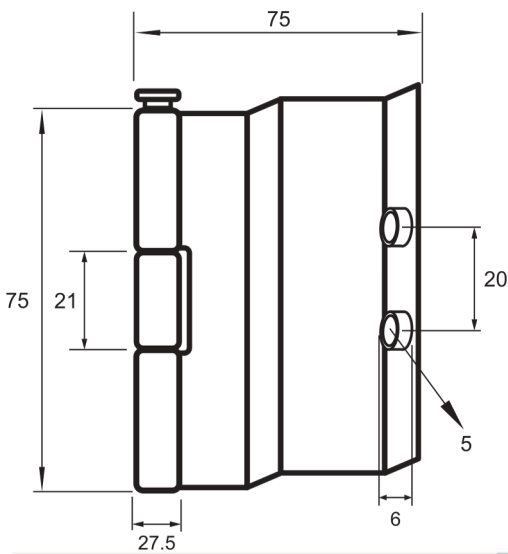
SPRING HINGE



GEH 141 B



CONCEALED HINGE



GEH 141 D

CONCEALED HINGE





GANGA

Ganga Enterprises

1/577 A-4, New Vishnupuri Ext., Surender Nagar, Near Water Tank, Aligarh-202 001. (U.P.) INDIA
Tel.: +91-571-2762591, +91-9411413435, 8433284034, 7217413435 E-mail: gangaenterprises01@gmail.com www.gangalocks.com