

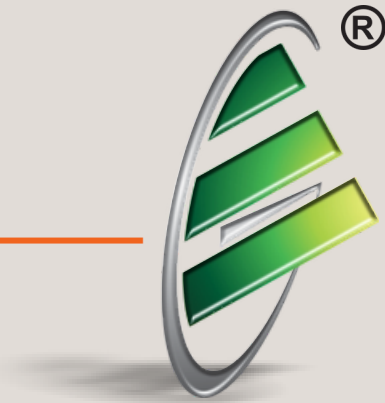


**GANGA**

*Strength In Every Component*

**Ganga Enterprises**

[www.gangalocks.in](http://www.gangalocks.in)



**GANGA ENTERPRISES** an independent family run business, started its operations way back in 2005. With great integrity, high ethics values, stringent quality control up by tremendous efforts and disciplined business activities, **GANGA ENTERPRISES** is manufacturer of plastic moulded and Steel & Zinc components, to various cities in INDIA. These components is used in control panels. Spread over an area of 4000 sq. ft. with a force of 20 hardworking employees, it has proved itself as a flexible and versatile manufacturer, offering a huge of designs options with the help of in house facilities such as plastic moulding, Zinc Alloys Pressure Die Casting, Rubber moulding M/c. Power Presses and well furnished Tool Room. It can also offer custom designed accessories with the support of high and software.

# Ganga Enterprises



GEL 101



GEL 102



GEL 103



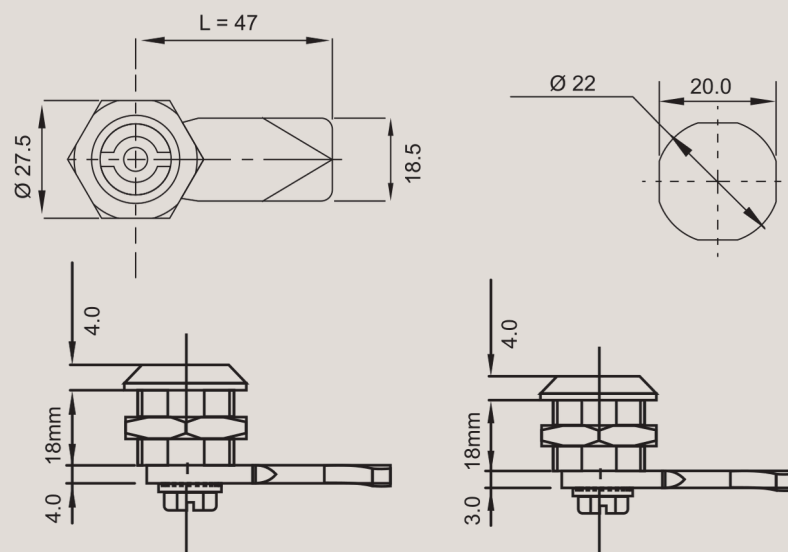
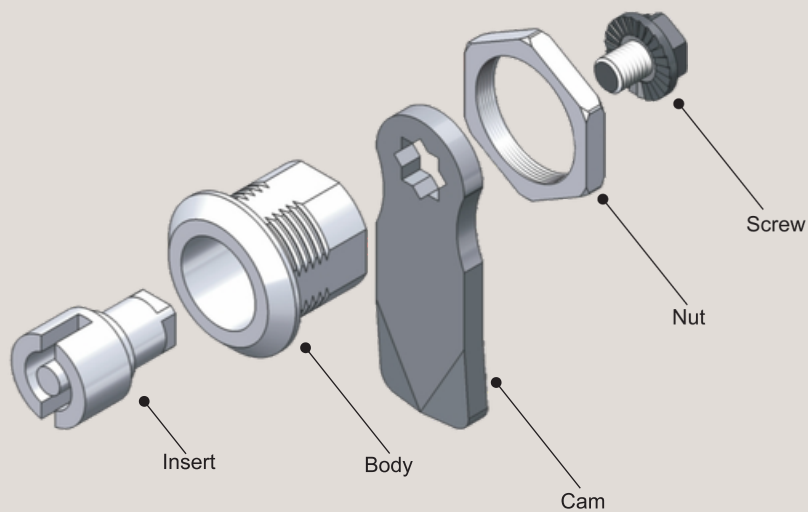
GEL 103A



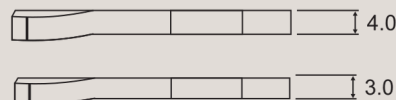
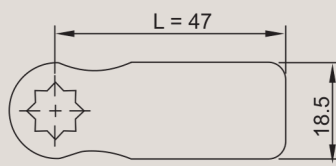
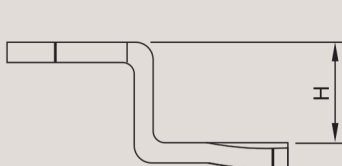
GEL 104



GEL 105



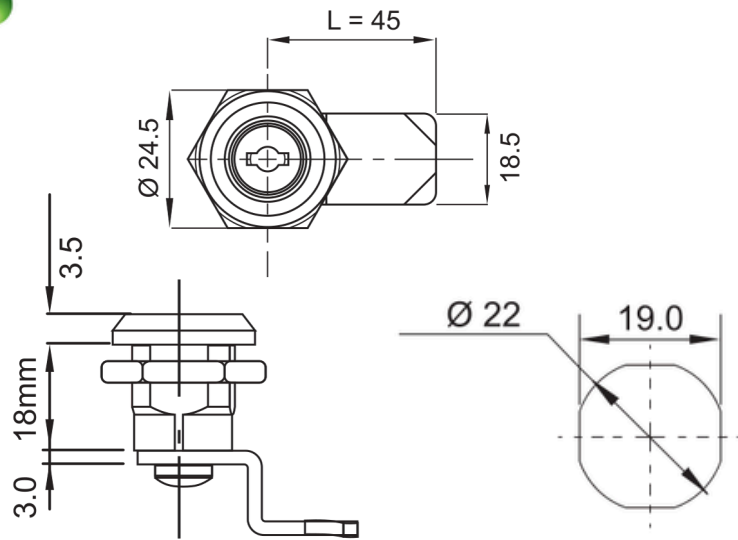
D.C. LOCKS



MR	H			
MR	2	7	12	17
	20	22	27	32

STANDARD CAMS



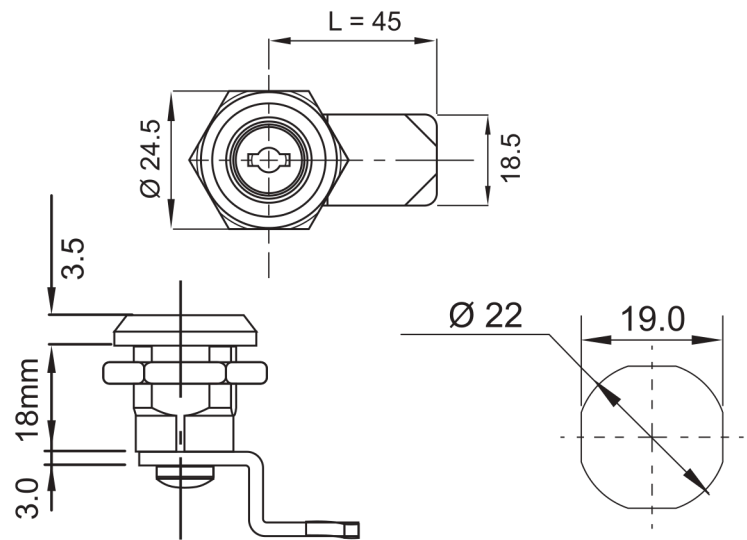


GEL 106

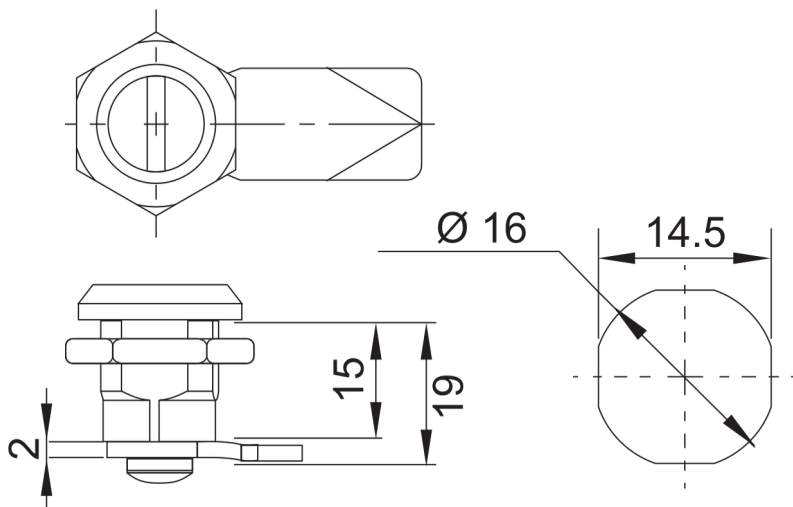
**D.C. LOCK**



GEL 106A



**D.C. LOCK**



GEH 107

**D.C. LOCK**

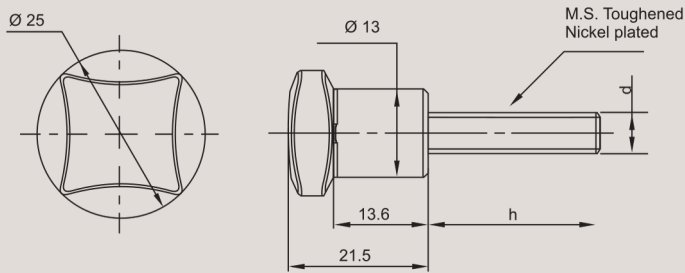
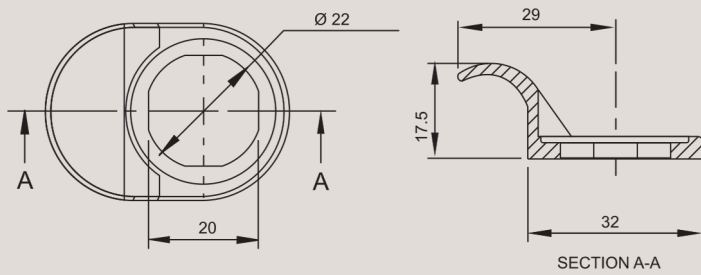


**D.C. KEY**



**M.S. LOCKS**

**M.S. KEY**



GEB 117  
D.C. HEX BUSH  
9 x 12

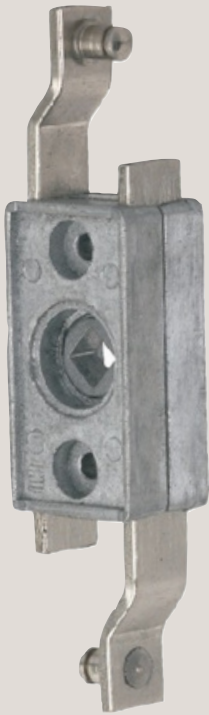


GEB 118  
M.S. HEX BUSH  
9 x 17

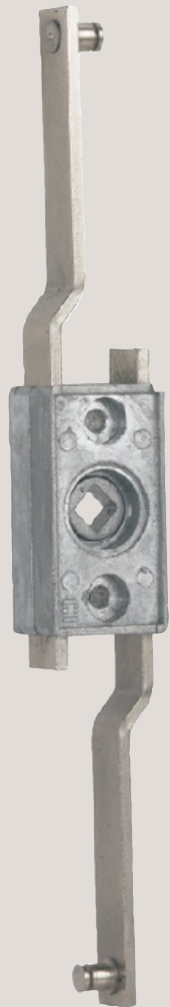
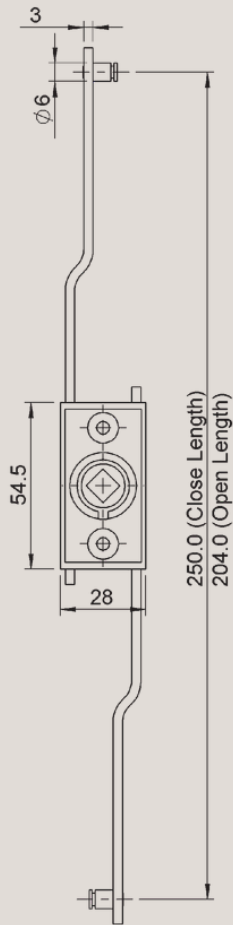
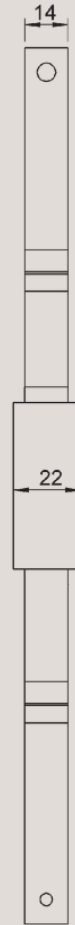
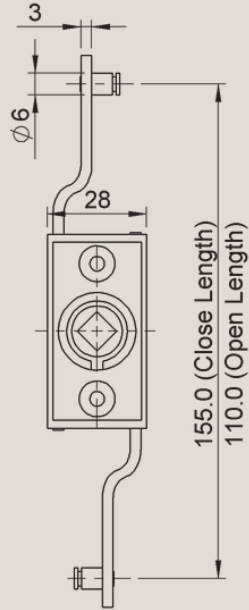
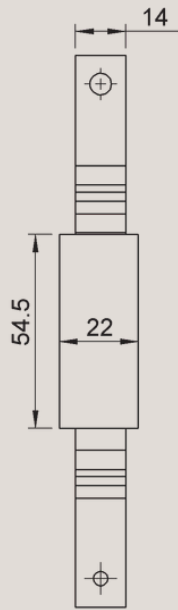
**LOCKS ACCESSORIES**



# 3 Point Lock Accessories



GERPL 137



GERPL 140



GERPL 138



GERPL 139

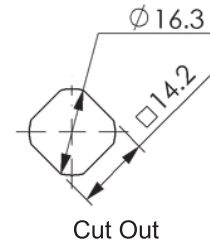
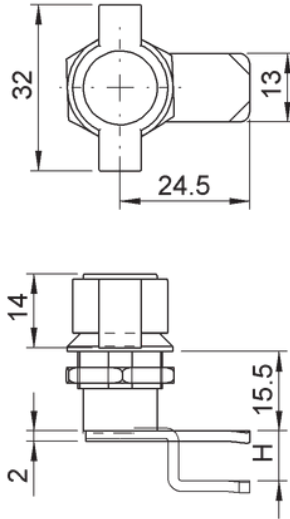




## D.C. LOCK WITH KNOB



GEL133

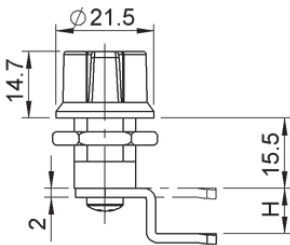
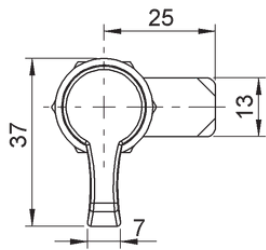


Cut Out

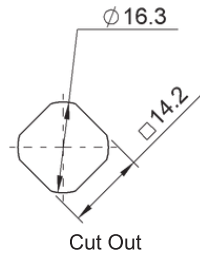


Gasket available for additional protection for all

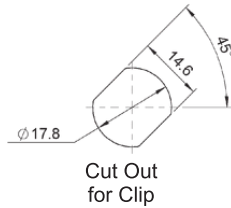
## LOCK (POLYAMIDE KNOB)



Specify H with minimum order



Cut Out



Cut Out for Clip



GEL-134

## LOCK (POLYAMIDE KNOB)



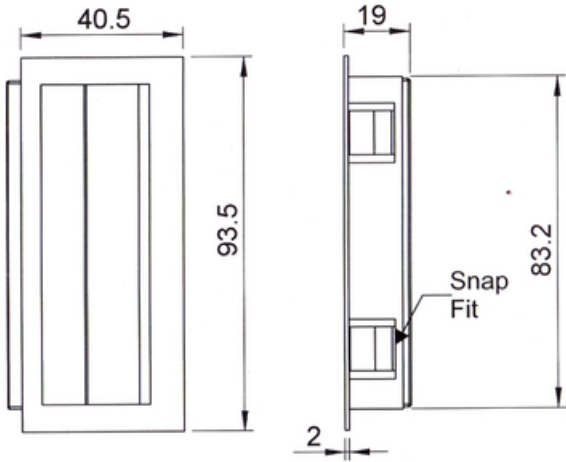
GEL135

(DIE CAST KNOB)



GEL 136

(DIE CAST LOCK WITH KEY)

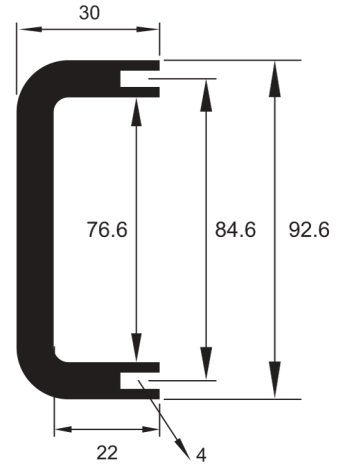


GEH 146  
Recessed Handle

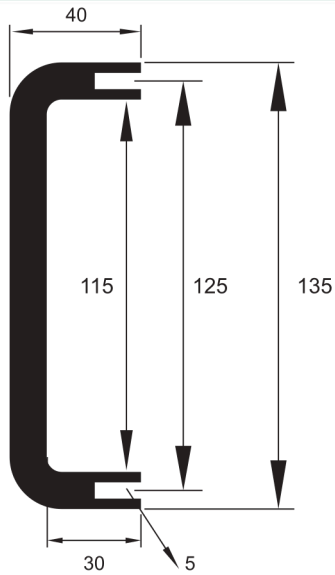
### POLYAMIDE HANDLE



GEH 201



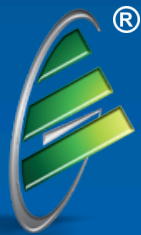
### M.S. HANDLE POWDER COATED



GEH 202

### M.S. HANDLE PLATED





**GANGA**

# Ganga Enterprises

1/577 A-4, New Vishnupuri Ext., Surender Nagar, Near Water Tank, Aligarh-202 001. (U.P.) INDIA  
Tel.: +91-571-2762591, +91-9411413435, 8433284034, 7217413435 E-mail: [gangaenterprises01@gmail.com](mailto:gangaenterprises01@gmail.com) [www.gangalocks.com](http://www.gangalocks.com)